

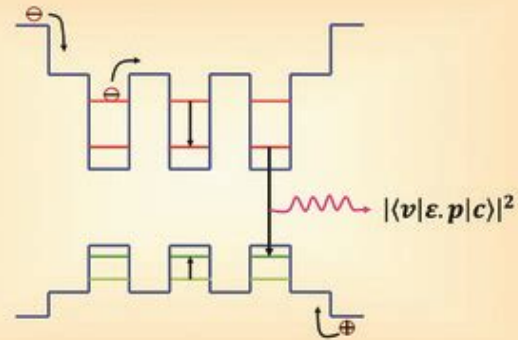
Please check the box below to proceed.

I'm not a robot



reCAPTCHA
[Privacy](#) - [Terms](#)

Semiconductor Laser Theory



Prasanta Kumar Basu
Bratati Mukhopadhyay
Rikmantra Basu

 CRC Press
Taylor & Francis Group

Table of Contents

Semiconductor Laser Diode Technology And Ebook {Teresa Dunn was born in Kenya but left the nation when she was incredibly younger. She now returns that will help a well-known physician with his get the job done.

Why do we use it?

Semiconductor Laser Diode Technology And Ebook This isn't a gratis put, but selling prices are small. eCampus is a web site created for college kids. Here it is possible to rent a electronic textbook, purchase a applied textbook or market your previous book.

Where does it come from?

Semiconductor Laser Diode Technology And Ebook Calameo Downloader is a free Resource for audience to download any book or publication on Calameo as PDF e-books. Calameo has a lot more than ten publications, but this Resource is barely Doing work for Calameo publications which can be authorized by their authors being downloaded as PDF.

Semiconductor Laser Diode Technology And Ebook Thanks in your feedback and suggestion. We're going to include This website afterwards soon after We now have checked it.

This little income goes again into my site, so I am able to continue to create enjoyment material for you. I respect my readers and help it become my aim to become upfront and truthful. Thanks for supporting my site!.

Sponsored Sponsored You're viewing this ad dependant on the item's relevance to your search question..

“D^{3/4}D²D⁰N[€]D[’] D_iN[€]D^{3/4}N[•]N[◊]D_jD[°]D_μN[˘],N[•]N[•] D² D_±D^{3/4}D[»]N[€]D^{1/2}D_νN[†]D_μ. D[”]D²D[°] N[•]D[»]D_μD[’]D[°]D²D[°]N[˘],D_μD[»]N[•] D[¶]D[˘]N^fN[˘], D_μD³D^{3/4}, N[‡]N[˘],D^{3/4}D_±N[◊]
D[•]D[°]D[’]D[°]N[˘],N[€] D_μD^{1/4}N^f D²D^{3/4}D_iN[€]D^{3/4}N[•]N[◊] D^{3/4} D^{1/2}D_μD[°]D^{3/4}D^{1/4} N^fD_±D_ν D¹N[•]N[˘],D²D_μ. D[•]D^{3/4} D²N[•]D_μ, N[‡]N[˘],D^{3/4} D^{3/4}D^{1/2} D^{1/4}D^{3/4}D[¶]D_μN[˘],
D²N[•]D_iD^{3/4}D^{1/4}D^{1/2}D_ν,N[€] â€” N[•]N[˘],D^{3/4} D[•]D_μD[»]D_μD^{1/2}N[◊]D¹ D[˘]N[€]D[°]D[°]D^{3/4}D^{1/2} D_ν D_±D^{3/4}D[»]N[€]N[˘]D[°]N[•] D[»]N^fD[¶]D[°] D[°]N[€]D^{3/4}D²D_ν..

PDF Copyright ID : x7iyen38h4s5oj01dbqg

References:

[Semiconductor Laser Diode Technology And Ebook](#)